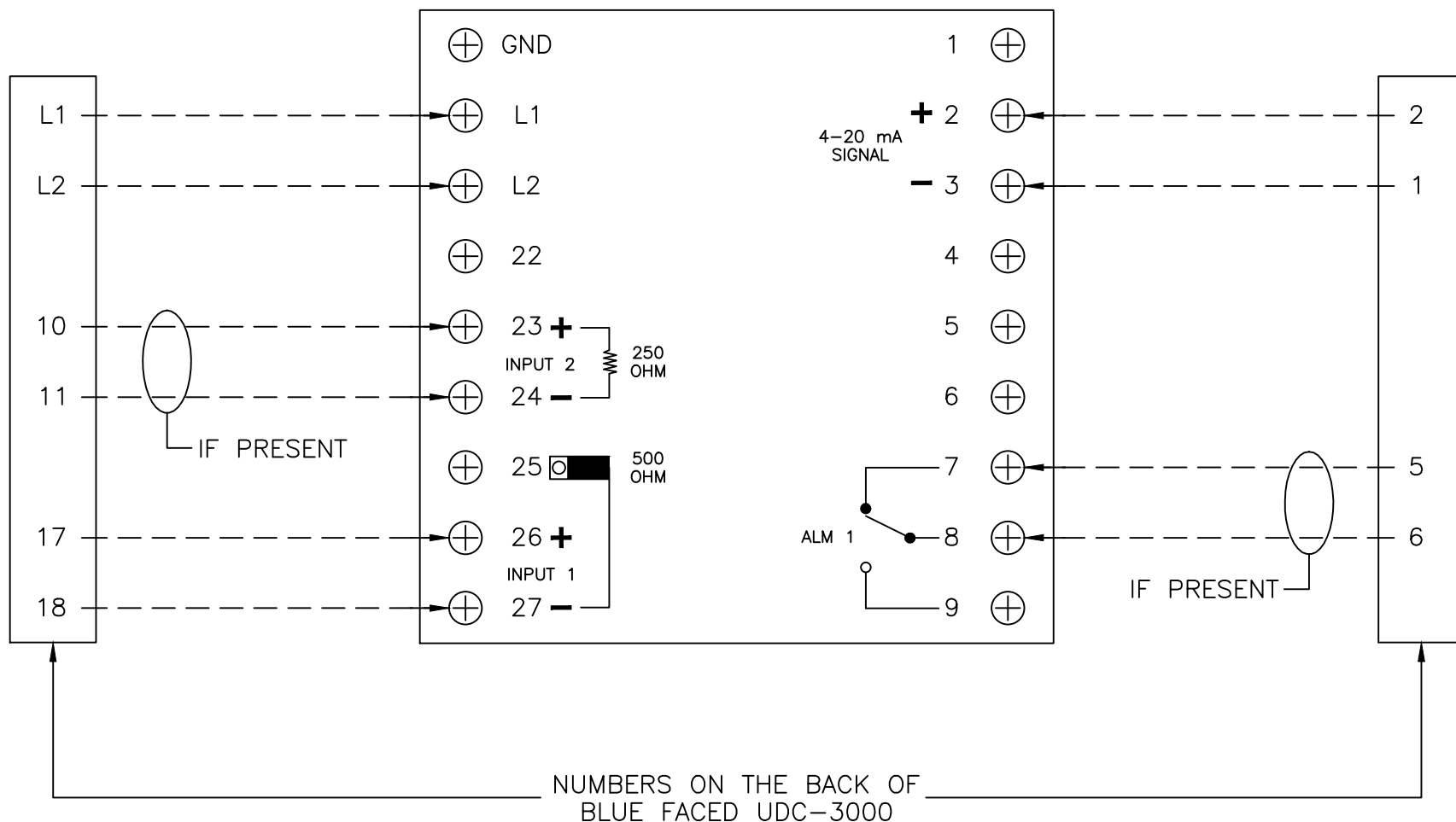


BACK OF GRAY FACED  
UDC-3000



THIS SCHEMATIC SHOWS THERMOCOUPLE INPUT ONLY.  
FOR UDCs USED FOR MOISTURE CONTROL PLEASE CONSULT THE FACTORY.

SAMUEL JACKSON, INC.

DESC1  
DESC2

REF: REFERENCE

DWN. BY DWN\_BY

DRAWING NO.

DATE DATE

DRAWING#

FOR: GIN

SCALE: SCALE: