

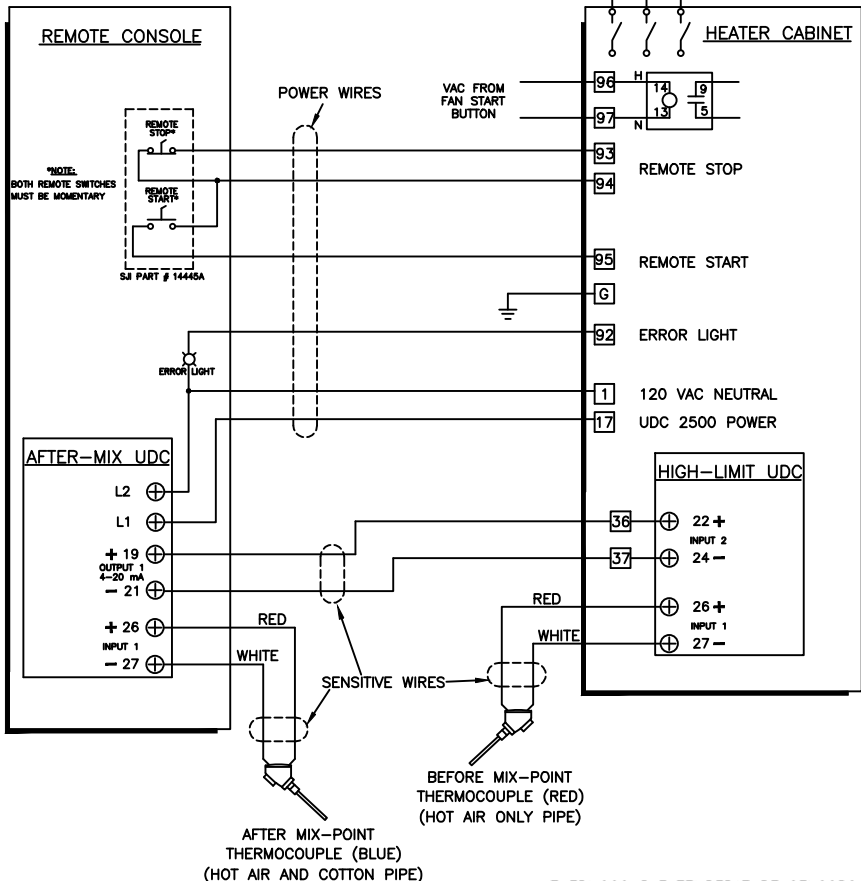
EXTERNAL ELECTRICAL CONNECTIONS

HO-7-1137 AND HO-4-1112A

OIL-FIRED HEATERS

CA13337
7-09

NOTE: RUN POWER WIRES AND SENSITIVE WIRES IN SEPARATE CONDUITS.



NOTE A: INSTALLING ELECTRICIAN IS RESPONSIBLE FOR CONNECTION OF A NORMALLY OPEN INTERLOCK (FURNISHED) TO THE HEATER FAN.

THERMOCOUPLE TEMPERATURE SENSORS

USE ONLY TYPE "J" THERMOCOUPLE EXTENSION WIRE FURNISHED WITH HEATER. OBSERVE THE COLOR CODE. RUN IN SEPARATE CONDUIT FROM POWER WIRES. SEVERAL T/C EXT. WIRES MAY BE RUN IN THE SAME CONDUIT.

