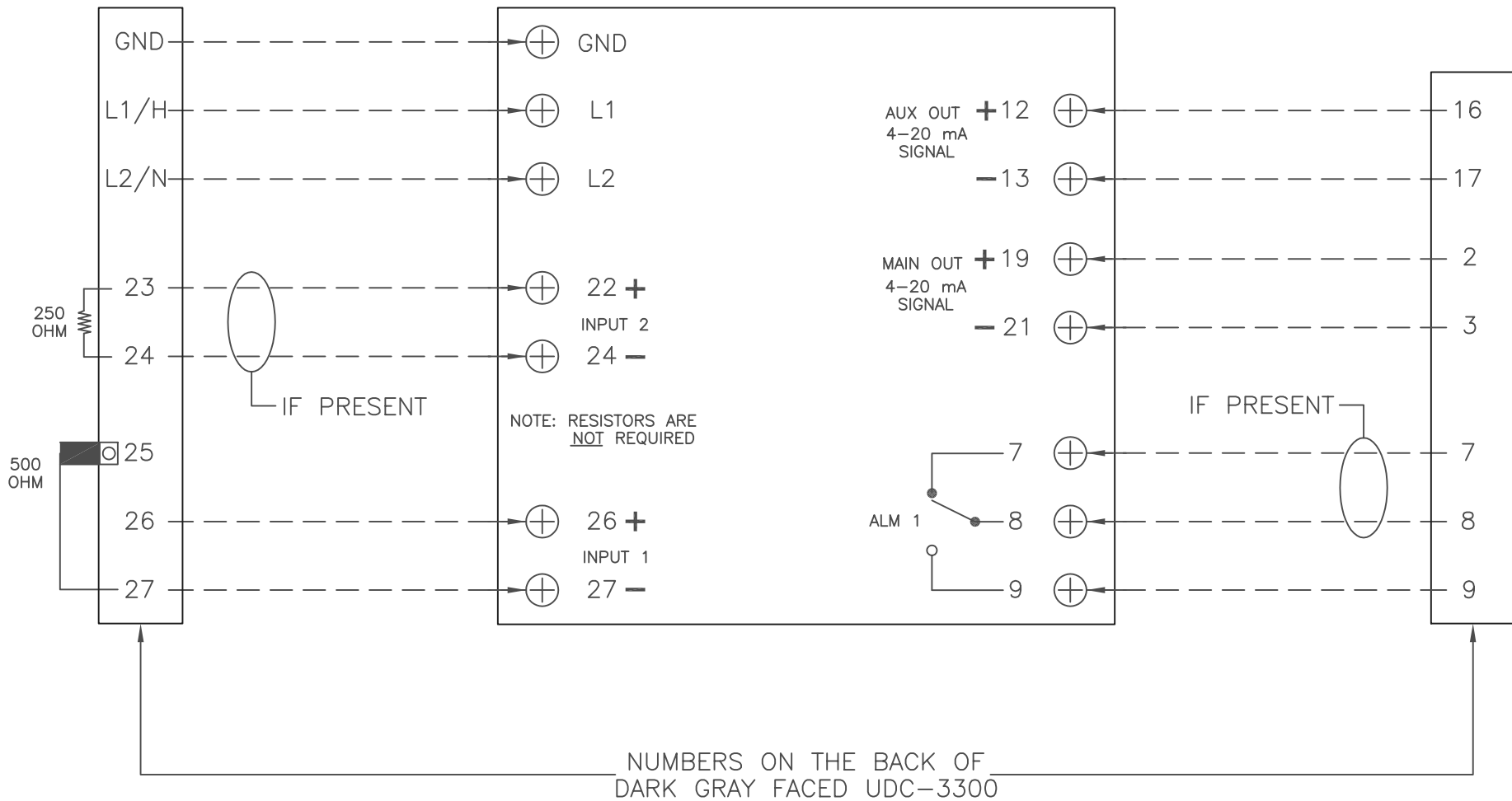


BACK OF LIGHT GRAY FACED
UDC 2500



THIS SCHEMATIC SHOWS THERMOCOUPLE INPUT ONLY.
FOR UDCs USED FOR MOISTURE CONTROL PLEASE CONSULT THE FACTORY.

SAMUEL JACKSON, INC.

WIRING CONVERSIONS
FOR UDC-2500

REF:

DWN. JO
BY

DRAWING NO.

DATE 7-30-07

14-5013

FOR:

SCALE: