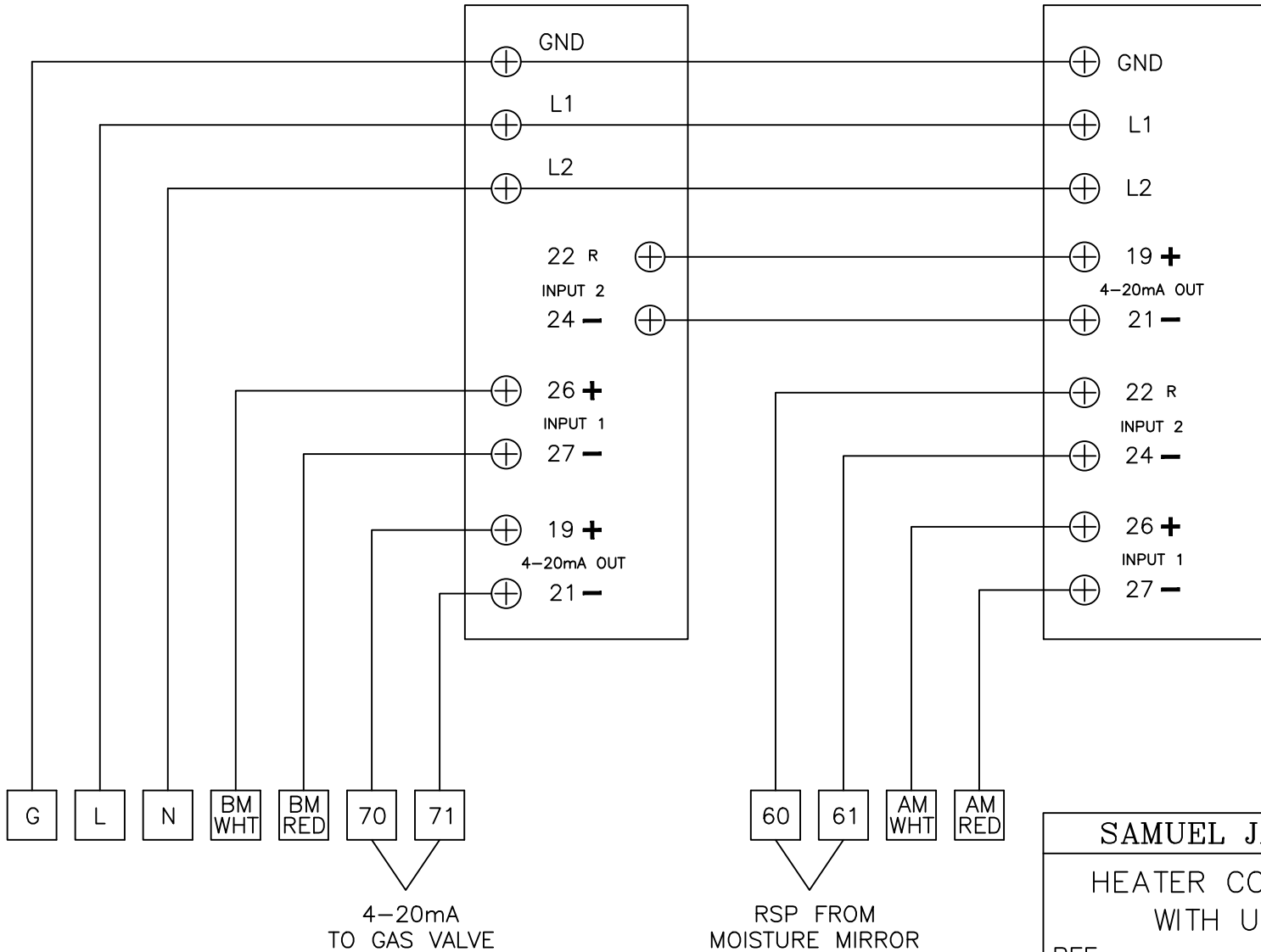


BACK OF BEFORE-MIX
UDC 2500

BACK OF AFTER-MIX
UDC 2500



SAMUEL JACKSON, INC.

HEATER CONTROL WIRING
WITH UDC-2500s

REF:

DWN. BY MCG

DRAWING NO.

DATE 5-20-2014

14-5340A

FOR:

SCALE: